



# AMIABLE

## MANUFACTURERS & EXPORTER OF THERMITE WELD ACCESSORIES



**Mould Handle**  
(1 for Every Three moulds)



**Flint Igniter**  
(1 Good for 50 shots)



**Mould cleaning Brush**



**Weld Cavity  
Cleaning Brush**



**File Card Brush to Clean  
the Objects to be  
welded**



**Slag Removal  
Scrapper**



**Sealing Compound**



CPRI, Bangalore

We as Amiable are the Manufacturer for Copper Braids and Copper Flexible Connectors and Laminated Copper Flexible Connectors

Our Firm AMIABLE IMPEX, is well established organization in India and overseas market and Manufactures and Export the following products :

- 01) Copper Braided & Laminated Connectors
- 02) Thermite weld Powder & Graphite Molds
- 03) Brass Parts Components, Accessories and Fittings

As one of India's most respected corporations, we have earned good reputation amongst our customers with Quality Assurance, On time delivery and High Customer Satisfaction. To ensure consistent product quality, we work within a quality system that is approved with:

**ISO 9001 - 2008 certification**

**ISO 14001 certification**

**ISO 18001 certification**

**GMP Standard**

**CE Compliance**

**ROHS Compliance**

Our Thermite weld Powder meets IEEE 837-2002 Standard & Certified by CPRI - Govt. for Short Circuit Current Testing and we are Crisil Verified Company.

Strict quality checks are carried out at different stages of manufacturing and only that material which passes stringent norms finds its way in the market around the Globe.

**Any kind of special products made from Brass, Copper, Gunmetal, Bronze, Cast Iron, Malleable Iron & PVC can be developed, manufactured and supplied exactly as per customer specifications.**

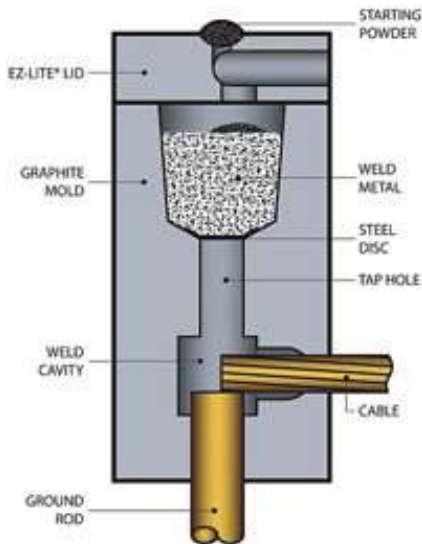
Our customer bases are distributors, wholesalers, electrical contractors and installers, maintenance people, government bodies, equipment manufacturers etc...

We always believe in the power of our brands in doing the right thing.

"We understands our Customers Values"

# **THERMITE WELD ACCESSORIES**

**Thermite weld** is also known as exothermic bonding, thermite welding (TW), and Thermit welding. There are many advantages of using **Thermite weld**. The most important one being that the process produces a molecular joint and not just a mechanical one in between the conductors. It is produced through a starting reactant which provides enough energy to activate the welding reaction. This takes place quickly and safely inside a graphite mould. The mould is designed specifically for a certain union depending on the elements to be welded and the joint type required. We guarantee all types of joints, not only copper cable unions but also to weld tapes, brass metallic pieces, stainless steel, steel ground rods covered with copper, etc. It is especially useful for joining dissimilar metals.



## Features of **Thermite weld**:

- Superior electrical conductivity to the conductors themselves.
- Does not corrode, oxidize or degrade with time and is resistant to galvanic coupling.
- Able to withstand repeated electrical discharges.
- Never increases its resistance.
- Has greater mechanical and squeezing resistance than the conductors themselves.

## Thermite weld

Source: Wikipedia

**Thermite weld** is a welding process for joining two electrical conductors that employs superheated copper alloy to permanently join the conductors. The process employs an exothermic reaction of a copper thermite composition to heat the copper, and requires no external source of heat or current. The chemical reaction that produces the heat is an alumina thermic reaction between aluminium powder and a metal oxide.

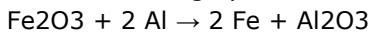
The reaction reaches very high temperatures, depending on the metal oxide used. The reactants are usually supplied in the form of powders, with the reaction triggered using a spark from a flint lighter. The activation energy for this reaction is very high however, and initiation requires either the use of a "booster" material such as powdered magnesium metal or a very hot flame source. The aluminium oxide slag that it produces is discarded.

When welding copper conductors, the process employs a semi-permanent graphite crucible mould, in which the molten copper, produced by the reaction, flows through the mould and over and around the conductors to be welded, forming an electrically conductive weld between them. When the copper cools, the mould is either broken off or left in place. Alternatively, hand-held graphite crucibles can be used. The advantages of these crucibles include portability, lower cost (because they can be reused), and flexibility, especially in field applications.

The weld formed has higher mechanical strength than other forms of weld, and excellent corrosion resistance. It is also highly stable when subject to repeated short-circuit pulses, and does not suffer from increased electrical resistance over the lifetime of the installation. However, the process is costly relative to other welding processes, requires a supply of replaceable moulds, suffers from a lack of repeatability, and can be impeded by wet conditions or bad weather (when performed outdoors).

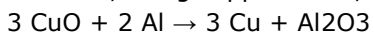
### Overview:

In **exothermic weld**, aluminium dust reduces the oxide of another metal, most commonly iron oxide, because aluminium is highly reactive. Iron(III) oxide is commonly used:



The products are aluminium oxide, free elemental iron, and a large amount of heat. The reactants are commonly powdered and mixed with a binder to keep the material solid and prevent separation. Commonly the reacting composition is 5 parts iron oxide red (rust) powder and 3 parts aluminium powder by weight, ignited at high temperatures. A strongly exothermic (heat-generating) reaction occurs that via reduction and oxidation produces a white hot mass of molten iron and a slag of refractory aluminium oxide. The molten iron is the actual welding material; the aluminium oxide is much less dense than the liquid iron and so floats to the top of the reaction, so the set-up for welding must take into account that the actual molten metal is at the bottom of the crucible and covered by floating slag.

Other metal oxides can be used, such as chromium oxide, to generate the given metal in its elemental form. Copper thermite, using copper oxide, is used for creating electric joints in a process called Cad welding:



**Thermite welding** is widely used to weld **railway rails**. The weld quality of chemically pure thermite is low due to the low heat penetration into the joining metals and the very low carbon and alloy content in the nearly pure molten iron. To obtain sound rail road welds, the ends of the rails being thermite welded are preheated with a torch to an orange heat, to ensure the molten steel is not chilled during the pour. Because the thermite reaction yields relatively pure iron, not the much stronger steel, some small pellets or rods of high-carbon alloying metal are included in the thermite mix; these alloying materials melt from the heat of the thermite reaction and mix into the weld metal. The alloying beads composition will vary, according to the rail alloy being welded.

### Process

Typically, the ends of the rails are cleaned, aligned flat and true, and spaced apart 25 millimetres (0.98 in). This gap between rail ends for welding is to ensure consistent results in the pouring of the molten steel into the weld mould. In the event of a welding failure, the rail ends can be cropped to a 75 millimetres (3.0 in) gap, removing the melted and damaged rail ends, and a new weld attempted with a special mould and larger thermite charge. A two or three piece hardened sand mould is clamped around the rail ends, and a torch of suitable heat capacity is used to preheat

the ends of the rail and the interior of the mould. The proper amount of thermite with alloying metal is placed in a refractory crucible, and when the rails have reached a sufficient temperature, the thermite is ignited and allowed to react to completion (allowing time for any alloying metal to fully melt and mix, yielding the desired molten steel or alloy).

The reaction crucible is then tapped at the bottom. Modern crucibles have a self-tapping thimble in the pouring nozzle. The molten steel flows into the mould, fusing with the rail ends and forming the weld. The slag, being lighter than the steel flows last from the crucible and overflows the mould into a steel catch basin, to be disposed of after cooling. The entire setup is allowed to cool. The mould is removed and the weld is cleaned by hot chiselling and grinding to produce a smooth joint. Typical time from start of the work until a train can run over the rail is approximately 45 minutes to more than an hour, depending on the rail size and ambient temperature. In any case, the rail steel must be cooled to less than 370 °C (698 °F) before it can sustain the weight of rail locomotives.

When a thermite process is used for track signals – the bonding of wires to the rails with a copper alloy, a graphite mould is used. The graphite mould is reusable many times, because the copper alloy is not as hot as the steel alloys used in rail welding. In signal bonding, the volume of molten copper is quite small, approximately 2 cubic centimetres (0.12 cu in) and the mould is lightly clamped to the side of the rail, also holding a signal wire in place. In rail welding, the weld charge can weigh up to 13 kilograms (29 lb). The hardened sand mould is heavy and bulky, must be securely clamped in a very specific position and then subjected to intense heat for several minutes before firing the charge. When rail is welded into long strings, the longitudinal expansion and contraction of steel must be taken into account. British practice is to use a sliding joint of some sort, to allow this movement. American practice is very often a straightforward physical restraint of the rail. The rail is pre stressed, or considered "stress neutral" at some particular ambient temperature. This "neutral" temperature will vary according to local climate conditions, taking into account lowest winter and warmest summer temperatures. The rail is physically secured to the ties or sleepers with rail anchors, or anti-creepers. If the track ballast is good and clean and the ties are in good condition, and the track geometry is good, then the welded rail will withstand ambient temperature swings normal to the region.

#### Remote welding

Remote **Thermite** is a type of **exothermic weld** process for joining two electrical conductors from a distance. The process reduces the inherent risks associated with exothermic welding and is used in installations that require a welding operator to permanently join conductors from a safe distance of the superheated copper alloy.

The process incorporates either igniters for use with standard graphite moulds or a consumable sealed drop in weld metal cartridge, semi-permanent graphite crucible mould, and an ignition source that tethers to the cartridge with a cable that provides the safe remote ignition.

For more details or any queries in terms for **Thermite weld accessories** please visit us at <http://www.amiableimpex.com> or mail us at [info@amiableimpex.com](mailto:info@amiableimpex.com)



# AMIABLE IMPEX

Regd. Office - **AMIABLE IMPEX.**  
101/A, Surya Darshan, Pai Nagar,  
Borivali(W), Mumbai – 400092. India.  
Phone: +91-22-28933996 / +91-9594899995  
E-mail: info@amiableimpex.com

Admin. Office - **AMIABLE IMPEX.**  
501/A, Surya Darshan, Pai Nagar,  
Borivali (W), Mumbai – 400092. India.  
Phone: 022-28933996

Factory Address: **Amiable**  
Shed No. A II, Hitech Industrial Complex,  
Old Satpati Road, Palghar West,  
Palghar - 401404  
Email id - info@tinnedcopperbraid.com

Contact Person - **MAULIK SHAH**  
E-mail: maulik@amiableimpex.com  
Mob :+ 91- 9594899995

**Website: [www.amiableimpex.com](http://www.amiableimpex.com)**



### Amiable Impex Sales are Worldwide

Amiable Impex sells in India at Ahmedabad, Pune, Delhi, Mumbai, Bangalore, Chennai, Kolkata, Surat, Lucknow, Kanpur, Nagpur, Indore, Bhopal, Vadodara(Baroda), Andhra Pradesh - Hyderabad , Arunachal Pradesh - Itanagar, Assam - Dispur, Bihar - Patna , Chhattisgarh - Raipur , Goa - Panaji ,Gujarat - Ahmedabad , Haryana - Chandigarh , Himachal Pradesh - Shimla , Srinagar, Jharkhand - Ranchi , Karnataka, Kerala - Thiruvanthapuram , Madhya Pradesh - Bhopal , Maharashtra - Mumbai , Orissa - Bhubaneshwar , Punjab - Chandigarh , Rajasthan - Jaipur , Sikkim , Tamil Nadu - Chennai , Uttar Pradesh - Lucknow , Uttaranchal - Dehradun , West Bengal - Kolkata.

We can also export to Countries like Afghanistan - Kabul, Albania - Tirane, Algeria - Algiers, Andorra - Andorra la Vella, Angola - Luanda, Antigua and Barbuda - Saint John's, Argentina - Buenos Aires, Armenia - Yerevan, Australia - Canberra, Austria - Vienna, Azerbaijan - Baku, The Bahamas - Nassau, Bahrain - Manama, Bangladesh - Dhaka, Barbados - Bridgetown, Belarus - Minsk, Belgium - Brussels, Belize - Belmopan, Benin - Porto-Novo, Bhutan - Thimphu, Bolivia - La Paz, Sucre, Bosnia and Herzegovina - Sarajevo, Botswana - Gaborone, Brazil - Brasilia, Brunei - Bandar Seri Begawan, Bulgaria - Sofia, Burkina Faso - Ouagadougou, Burundi - Bujumbura, Cambodia - Phnom Penh, Cameroon - Yaounde, Canada - Ottawa, Cape Verde - Praia, Central African Republic - Bangui, Chad - N'Djamena, Chile - Santiago, China - Beijing, Colombia - Bogota, Comoros - Moroni, Congo Republic of the - Brazzaville, Congo, Democratic Republic of the - Kinshasa, Costa Rica - San Jose, Cote d'Ivoire - Yamoussoukro, Abidjan (de facto), Croatia - Zagreb, Cuba - Havana, Cyprus - Nicosia, Czech Republic – Prague, Denmark - Copenhagen, Djibouti - Djibouti, Dominica - Roseau, Dominican Republic - Santo Domingo, East Timor (Timor-Leste) - Dili, Ecuador - Quito, Egypt - Cairo, El Salvador - San Salvador, Equatorial Guinea – Malabo, Eritrea - Asmara, Estonia - Tallinn, Ethiopia - Addis Ababa, Fiji - Suva, Finland - Helsinki, France - Paris, Gabon - Libreville, The Gambia - Banjul, Georgia - Tbilisi, Germany - Berlin, Ghana - Accra, Greece - Athens, Grenada - Saint George's, Guatemala - Guatemala City, Guinea - Conakry, Guinea-Bissau - Bissau, Guyana - Georgetown, Haiti - Port-au-Prince, Honduras - Tegucigalpa, Hungary - Budapest, Iceland - Reykjavik, India - Delhi, Indonesia - Jakarta, Iran - Tehran, Iraq - Baghdad, Ireland - Dublin, Israel - Jerusalem, Italy - Rome, Jamaica - Kingston, Japan - Tokyo, Jordan - Amman, Kazakhstan - Astana, Kenya - Nairobi, Kiribati - Tarawa Atoll, Korea, North - Pyongyang, Korea, South - Seoul, Kosovo - Pristina, Kuwait - Kuwait City, Kyrgyzstan - Bishkek, Laos - Vientiane, Latvia - Riga, Lebanon - Beirut, Lesotho - Maseru, Liberia - Monrovia, Libya - Tripoli, Liechtenstein - Vaduz, Lithuania - Vilnius, Luxembourg - Luxembourg, Macedonia - Skopje, Madagascar - Antananarivo, Malawi - Lilongwe, Malaysia - Kuala Lumpur, Maldives - Male, Mali - Bamako, Malta - Valletta, Marshall Islands - Majuro, Mauritania - Nouakchott, Mauritius - Port Louis, Mexico - Mexico City, Micronesia, Federated States of - Palikir, Moldova - Chisinau, Monaco - Monaco, Mongolia - Ulaanbaatar, Montenegro - Podgorica, Morocco - Rabat, Mozambique - Maputo, Myanmar (Burma) - Rangoon (Yangon); Naypyidaw or Nay Pyi Taw, Namibia - Windhoek, Nauru, Nepal - Kathmandu, Netherlands - Amsterdam; The Hague, New Zealand - Wellington, Nicaragua - Managua, Niger - Niamey, Nigeria - Abuja, Norway - Oslo, Oman - Muscat, Pakistan - Islamabad, Palau - Melekeok, Panama - Panama City, Papua New Guinea - Port Moresby, Paraguay - Asuncion, Peru - Lima, Philippines - Manila, Poland - Warsaw, Portugal - Lisbon, Qatar - Doha, Romania - Bucharest, Russia - Moscow, Rwanda - Kigali, Saint Kitts and Nevis - Basseterre, Saint Lucia – Castries, Saint Vincent and the Grenadines - Kingstown, Samoa - Apia, San Marino - San Marino, Sao Tome and Principe - Sao Tome, Saudi Arabia - Riyadh, Senegal - Dakar, Serbia - Belgrade, Seychelles - Victoria, Sierra Leone - Freetown, Singapore - Singapore, Slovakia - Bratislava, Slovenia - Ljubljana, Solomon Islands - Honiara, Somalia - Mogadishu, South Africa - Pretoria, Cape Town, Bloemfontein, South Sudan - Juba, Spain - Madrid, Sri Lanka - Colombo; Sri Jayewardenepura Kotte, Sudan - Khartoum, Suriname - Paramaribo, Swaziland - Mbabane, Sweden - Stockholm, Switzerland - Bern, Syria - Damascus, Taiwan - Taipei, Tajikistan - Dushanbe, Tanzania - Dar es Salaam; Dodoma, Thailand - Bangkok, Togo - Lome, Tonga - Nuku'alofa, Trinidad and Tobago - Port-of-Spain, Tunisia - Tunis, Turkey - Ankara, Turkmenistan - Ashgabat, Tuvalu - Vaiaku village, Funafuti province, Uganda - Kampala, Ukraine - Kyiv, United Arab Emirates - Abu Dhabi, United Kingdom - London, United States of America - Washington D.C., Uruguay - Montevideo, Uzbekistan - Tashkent, Vanuatu - Port-Vila, Vatican City Holy See) - Vatican City, Venezuela - Caracas, Vietnam - Hanoi, Yemen - Sanaa, Zambia - Lusaka, Zimbabwe - Harare